

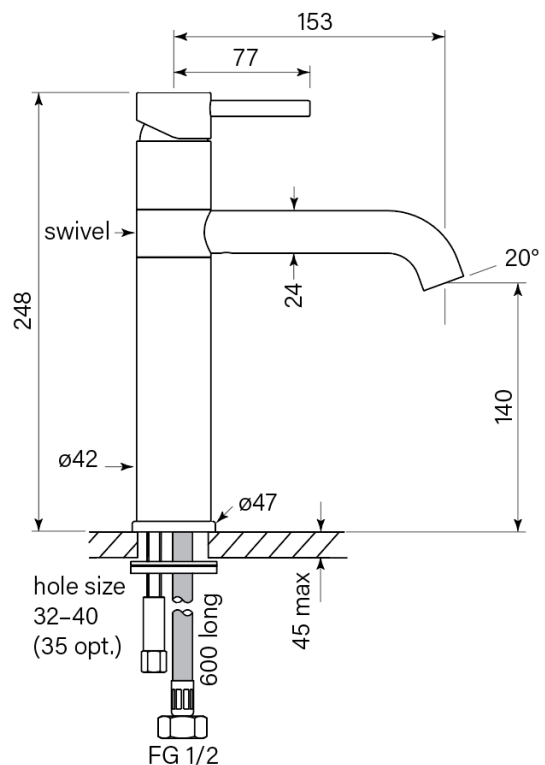
# Product Specifications

**30638-11** Pegasi M Basin Mixer, Swivel, Mid 140h, Chrome



## Features:

- Built in Australia
- Swivel spout reach 153mm
- 2 stage flow step valve
- Recessed aerator
- Tap Hole 32-40mm
- M series
- Suits semi recessed basins



WaterMark

WM-022284

