

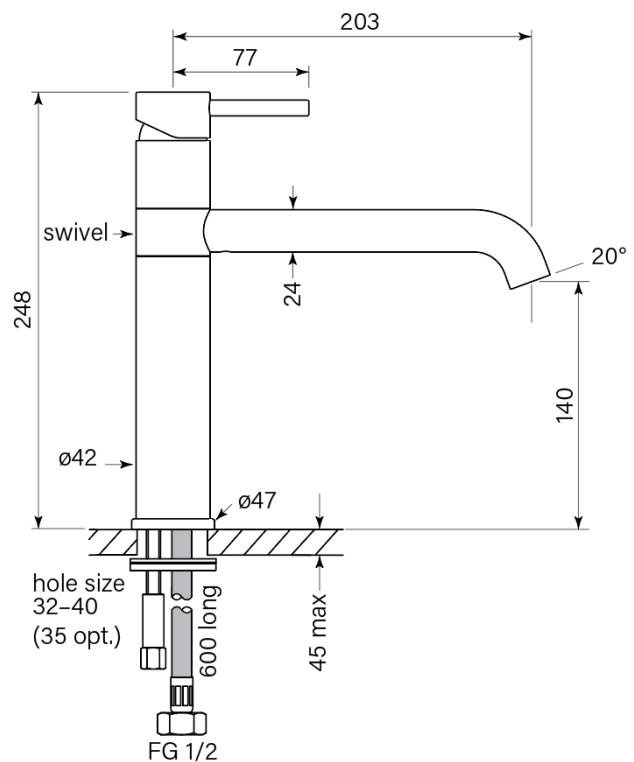
Product Specifications

30640-11 Pegasi M Sink Mixer, Chrome



Features:

- Built in Australia
- Swivel spout reach 203mm
- 2 stage flow step valve
- 32-40 mm sink hole
- Recessed aerator
- M series



WaterMark

WM-022284



WATER RATING
www.waterrating.gov.au

7.5 litres per minute

In accordance with AS/NZS 6400

Licence No. 0084

Faucet Australia