

Products Warranty - Australia

For warranty details see our website:

<https://www.faucetstrommen.com.au/warranty/>

Installation Guide

IG 033

Release Date: 13.12.22



Toilet Flush Plates

Suits Models:

34400

Important requirements:



Must be fitted in accordance with AS/NZS 3500 by qualified plumber



Mains 500kpa regulator must be fitted



Maximum hot water temp. 65°C



Water lines must be flushed prior to connection



Only clean municipal water supply. No bore, dam or hard water without filtration & treatment

Cleaning

Clean only with a soft microfiber or similar cloth and warm clean water. Ensure that the cloth is clean and free of any grit or chemical. Dry tap off with a soft clean cloth. Ensure that your tap is not subject to any chemicals, building grit or any type of abrasive or polish. For care of special finishes please visit our website.

Maintenance

Aerators may need to be flushed from time to time if flow diminishes or stream pattern deteriorates. For Pegasi & Cascade mixers, use the aerator key provided to unscrew the aerator. You will notice a "castle" pattern around the edge of the aerator, the key engages with this allowing you to unscrew the insert easily. For Zeos models, use the aerator key to unscrew the aerator housing, you will then be able to pop the insert out the top of the housing. Rinse off the upper face of the insert with running water and gently brush clean with an old toothbrush to remove any debris before refitting the aerator.

Faucet Australia Pty Ltd
www.faucetstrommen.com.au

ABN 83683523321
P: +61 3 5450 4236

31 Tate Drive, Kerang VIC 3579
sales@faucetstrommen.com.au

Installation:

Suits Geberit Sigma 8 cistern only

1. After tiling and grouting complete remove dust cover from installed Geberit Sigma 8 cistern.
2. Connect water to cistern and test according to Geberit instructions.
3. Cut and break away any of the protruding rough in box. Ensure rough in box is now flush with finished wall surface and all burs removed. See Diagram A.
4. Silicone seal around rough in box and tiles.
5. Unpack Tie Rods from the box
6. Unpack adaptor plate from the box.
7. Place adaptor plate over rough in box. Ensure this is correct way up.
8. Push in the tie rods all the way making sure that the orientation is as shown in the drawing (break off excess length on rods if required on the break lines). See Diagram B
9. Rotate the tie rods clockwise through 90° (may need pliers to ensure it is 'clicked' into position) and push locking wedges all the way in to ensure Adaptor Plate is flush against the wall. See Diagrams C
10. Ensure Adaptor Plate is level on the wall prior to next step.
11. Unpack Flush Plunger rods from the box
12. Install Flush Plunger rods. Push in all the way (break off excess length on rods if required on the break lines).
13. Rotate through 90° to lock in. Test Plunger action on both rods. See Diagram D
14. Unpack Flush Plate Panel from box.
15. Ensure correct way up. (large button to the left) Align the 4 screws with the cut-outs in the Adaptor Plate and Push all the way back against the wall, then upwards/right (**45 degree angle**) and **downwards/right** (45 degrees angle) in a 2-step motion as indicated by the arrows in the diagram. **IMPORTANT: Ensure that the buttons are not depressed when installing the flush plate.** See Diagram E
16. Ensure Flush Button Panel is not loose and can't pull off the wall (when correctly installed the flush plate should not be able to move from side-to-side). Test flush mechanism again.
17. To service cistern remove Flush Button Panel in the reverse order.
18. Any issues please call Faucet Australia on the below contact details before leaving site.

Diagram A

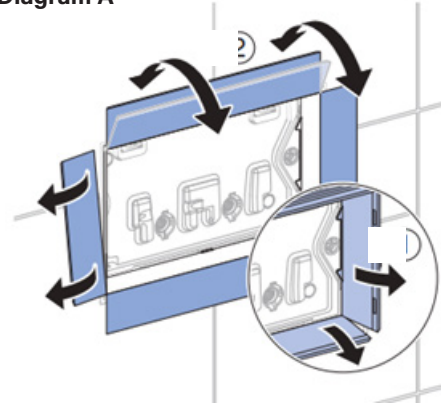


Diagram B

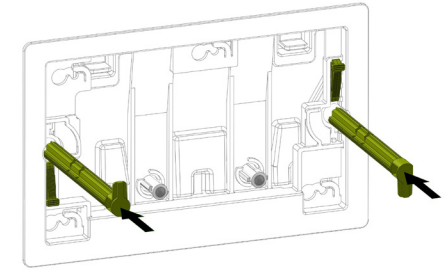


Diagram C

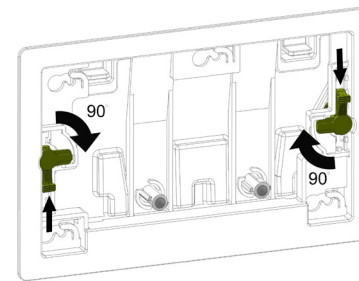


Diagram D

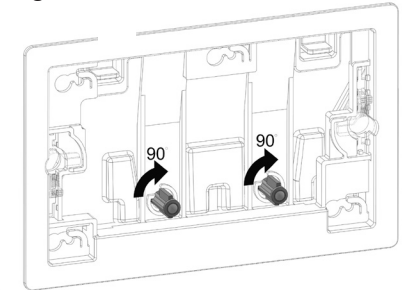


Diagram E

