

Installation Guide

Atico Flush Ceiling Shower

Suits Models:

30791 30792

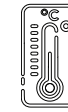
Important requirements:



Must be fitted in accordance with AS/NZS 3500 by qualified plumber



Mains 500kpa regulator must be fitted



Maximum hot water temp. 65°C



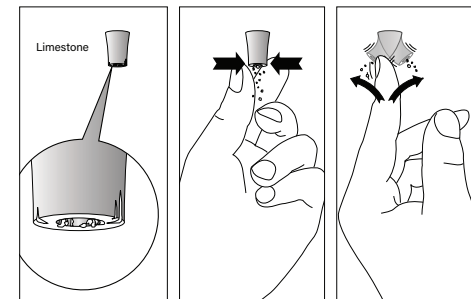
Only clean municipal water supply. No bore, dam or hard water without filtration & treatment

Cleaning

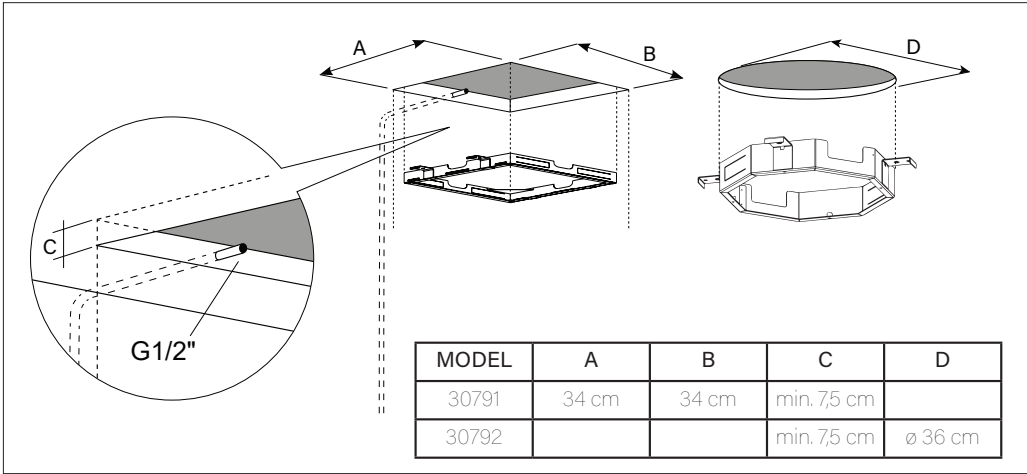
Clean only with a soft microfiber or similar cloth and warm clean water. Ensure that the cloth is clean and free of any grit or chemical. Dry product off with a soft clean cloth. Ensure that your product is not subject to any chemicals, building grit or any type of abrasive or polish. For care of special finishes please visit our website.

Maintenance

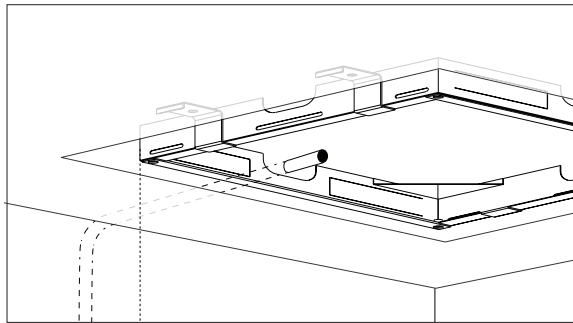
Depending on water quality, the rubber nozzles may need to be cleaned from time to time to remove limestone scale and other residue. Refer to pictures below.



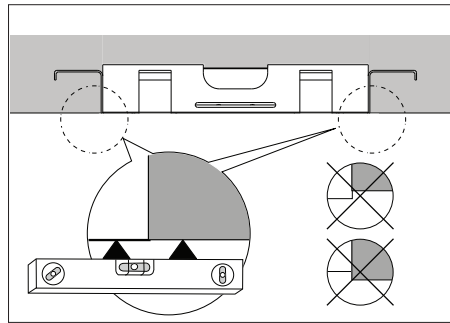
Installation



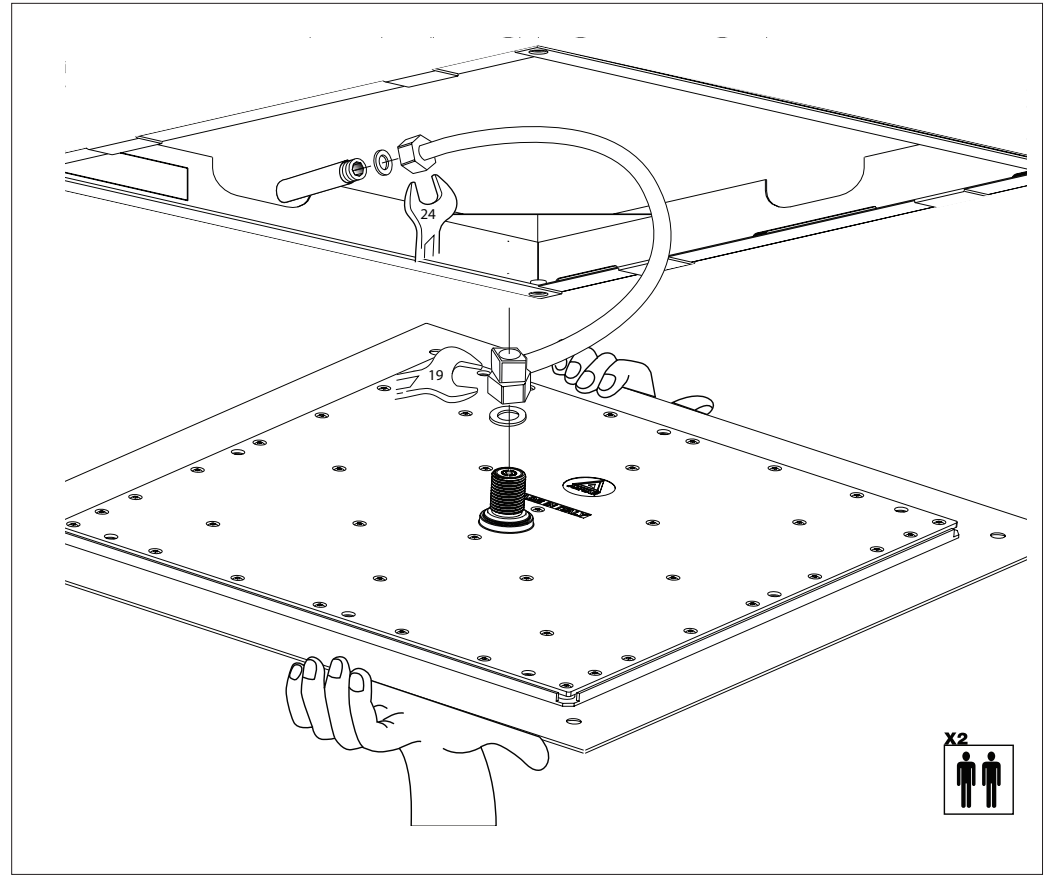
Cut the drywall or cement board to fit the ceiling dimensions.



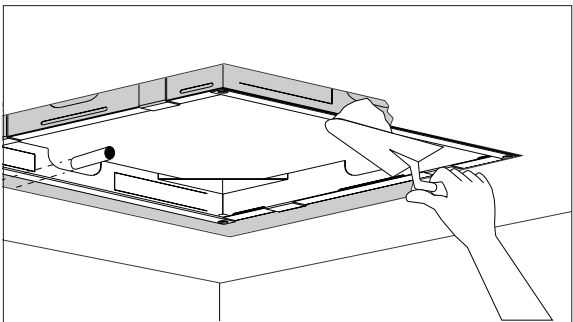
Insert the frame into the ceiling.



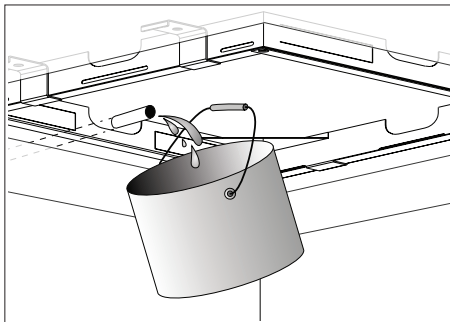
Ensure the bottom of the frame is flush with the surrounding ceiling surface, then secure the brackets to the bottom.



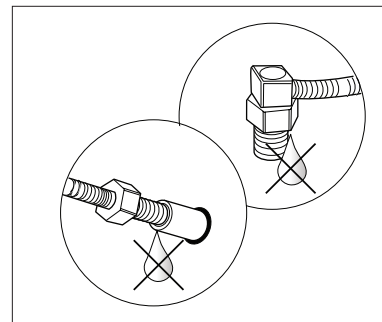
Connect the flexible hose to the water supply line and the shower head as shown, making sure to install the rubber washers provided.



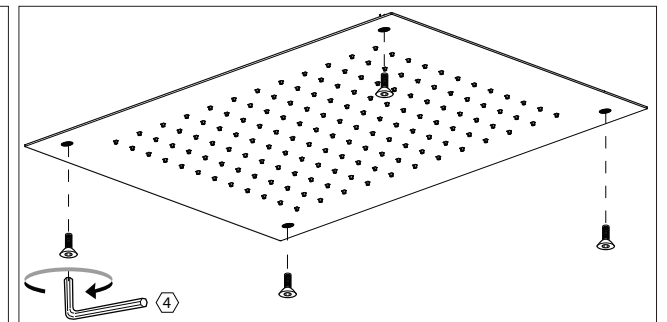
Caulk the edges where the board meets the walls if required.



Turn on the water to flush any debris from the system.



Make sure there is no leak.



Using an allen key, securely fasten the provided four screws, making sure to tighten them completely.