

## Products Warranty – Australia

For warranty details see our website:

<https://www.faucetstrommen.com.au/warranty/>



**IG 057**

Release Date: 11.01.24

# Installation Guide

## Zero Hob Outlet

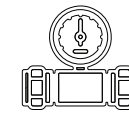
### Suits Models:

35318 35319 35320 35321

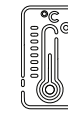
### Important requirements:



Must be fitted in accordance with AS/NZS 3500 by qualified plumber



Mains 500kpa regulator must be fitted



Maximum hot water temp. 65°C



Only clean municipal water supply. No bore, dam or hard water without filtration & treatment

### Cleaning

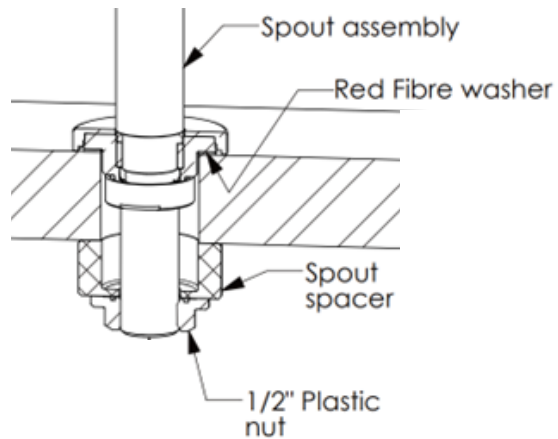
Clean only with a soft microfiber or similar cloth and warm clean water. Ensure that the cloth is clean and free of any grit or chemical. Dry tap off with a soft clean cloth. Ensure that your tap is not subject to any chemicals, building grit or any type of abrasive or polish. For care of special finishes please visit our website.

### Maintenance

Aerators may need to be flushed from time to time if flow diminishes or stream pattern deteriorates. Use the aerator key provided to unscrew the aerator. You will notice a "castle" pattern around the edge of the aerator, the key engages with this allowing you to unscrew the insert easily. Rinse off the upper face of the insert with running water and gently brush clean with an old toothbrush to remove any debris before refitting the aerator.

## Installation

1. This product is designed to be installed into a bench or sink of maximum thickness 45mm, and with hole cut-out of a 34mm to 35mm diameter.
2. Place the spout assembly into the hole, taking care to ensure the RedFibre washer is positioned correctly under the flange. Assemble the Spout spacer if needed (only required for thin benches or sinks) and tighten the 1/2" plastic nut firmly using a suitable spanner. Refer picture below.



3. Flush the supply lines, then connect it to the outlet using an approved flexible hose (easy hooker) with a G 1/2 female nut
4. Switch on the water supply gradually and check to ensure everything is functioning correctly.
5. Seek assistance from Faucet Strommen should anything not be functioning correctly.