

Installation Guide

Cabinet Lip Pull

Suits Models:

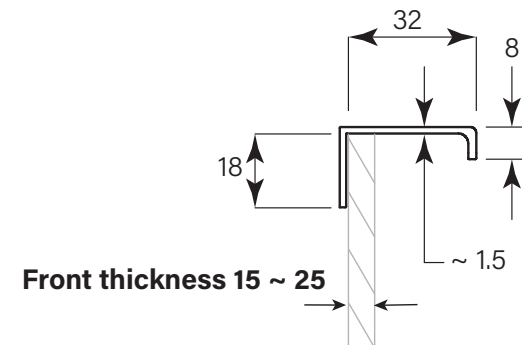
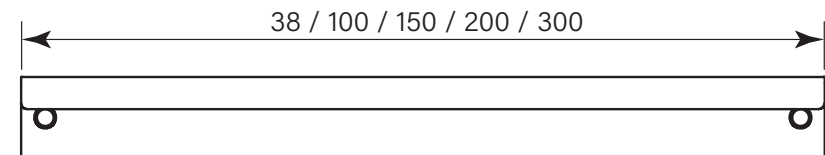
36045 36046 36047 36048 36049

Important requirements:

This product is designed to be installed onto cabinet door and drawer fronts. 13mm screws have been supplied for regular front thicknesses, refer drawing below for details.

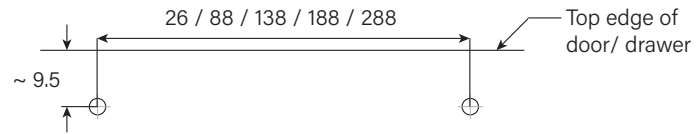
Cleaning

Clean only with a soft microfiber or similar cloth and warm clean water. Ensure that the cloth is clean and free of any grit or chemical. Dry tap off with a soft clean cloth. Ensure that your tap is not subject to any chemicals, building grit or any type of abrasive or polish. For care of special finishes please visit our website.



Installation

1. **Measure and Mark:** Determine the ideal placement for the lip pull on your door or drawer.
2. **Hook the Lip Pull** over the door or drawer in your ideal position, then make the hole positions on the back surface using a pencil to trace the holes on the fitting. The hole positions should be as shown below.



3. **Pre-Drill Holes:** Use 3.0 mm drill bit to pre-drill holes at the marked locations. Be careful to control the depth to avoid drilling through the front surface.
4. **Attach Lip Pull:** Hook the lip pull over the door or drawer again and make sure the holes are aligned. Insert the screws through the holes and thread into back of the cabinet pull. Re-check alignment then tighten firmly using a screwdriver.

